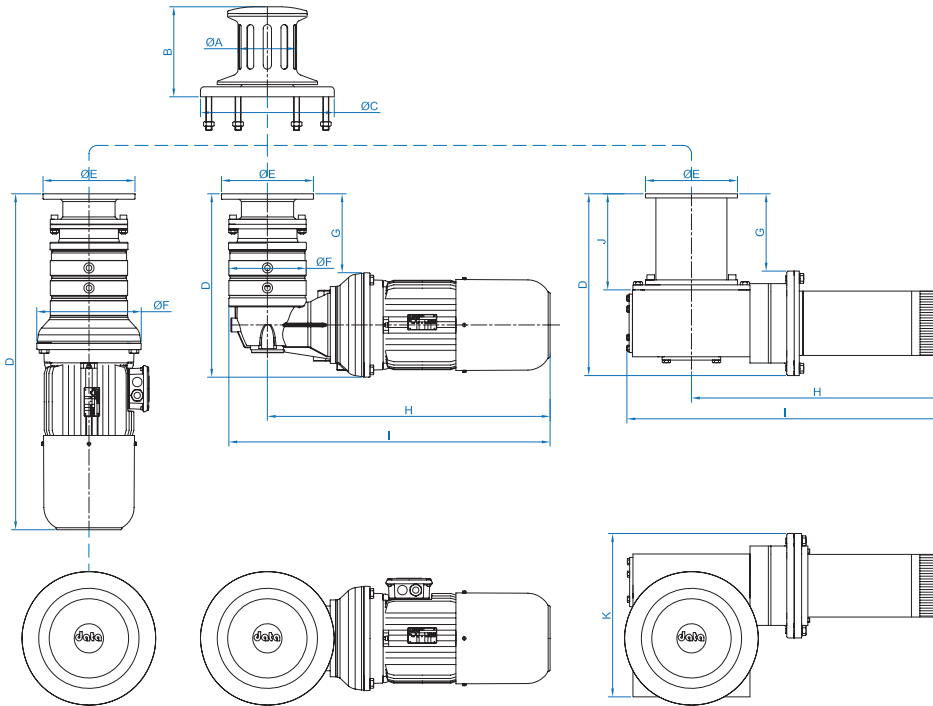


# ELECTRIC CAPSTANS



## ELECTRIC MOTOR DRIVE

DHC 1600EP  
DHC 2200EP  
DHC 3000EP  
DHC 4500EP  
DHC 7000EP  
DHC 11000EP

## ELECTRIC MOTOR DRIVE (AC)

DHC 1600E  
DHC 2200E  
DHC 3000E  
DHC 4500E  
DHC 7000E  
DHC 11000E

## ELECTRIC MOTOR DRIVE (DC)

DHC 500E  
DHC 1000E  
DHC 1600E

	DHC 500E	DHC 1000E	DHC 1600E	DHC 2200E	DHC 3000E	DHC 4500E	DHC 7000 E	DHC 11000 E
<b>A</b>	95	115	140	180	230	300	400	450
<b>B</b>	133	177	216	234	298	404	482	513
<b>C</b>	146	270	320	370	390	520	660	800
<b>D</b>	368	314	804/439/435	935/483	1093/611	1233/622	1414/628	1494/840
<b>E</b>	150	180	220	220	220	280	375	435
<b>F</b>	-	-	250/185	300/246	300/285	360	410	465
<b>G</b>	90	-	189	183	311	272	278	490
<b>H</b>	305	444	677/602	789	818	984	1210	1100
<b>I</b>	380	554	769/756	912	961	1164	1416	1333
<b>J</b>	115	207	230	-	-	-	-	-
<b>K</b>	230	301	390	-	-	-	-	-

## DHC 1600 E - PL/Kr/4 8

### Maximum Pull

500	550 kg.
1000	1000 kg.
1600	1750 kg.
2200	2500 kg.
3000	3500 kg.
5000	5000 kg.
7000	7800 kg.
11000	12500 kg.

### Drive

E	Electric
E2	Double speed motor

### Gearbox Type

PI	Planetary (Single Axis)
PL	Planetary (90)
W	Worm gear

### Material

B	Bronze
Kr	Stainless steel
P	Steel

### E. Motor

1	2.5 kW 24 V DC E. motor for 1000
2	2.2 kW 380 V AC E. motor for 1000
3	3 kW 24 V DC E. motor for 1600
4	4 kW 380 V AC E. motor for 2200
5	5.5 kW 380 V AC E. motor for 2200
7	7.5 kW 380 V AC E. motor for 3000
11	11 kW 380 V AC E. motor for 4500
15	15 kW 380 V AC E. motor for 7000
22	22 kW 380 V AC E. motor for 11000