



DZC 401E

DZC 401E is the smallest windlass in horizontal range. It is driven by a 1200W (12 or 24VDC) electric motor providing a max. pull of 590 kgs. It has a gypsy for chains 8 or 10 mm DIN766.

DZC 401E	
Drive	DC Electric Motor (12 or 24V)
Max. cont. Pull	390 kg (S2)
Max. pull	590 kg (S3)
Haulage speed (for 100 kg. working load)	16 m/min.
Gypsy for chain	8 - 10 mm DIN766
Approximate weight	32 kg
Current draw (at max. cont.pull)	125A (12V) - 70A (24V)
Motor power	1200W



datahidrolik.com

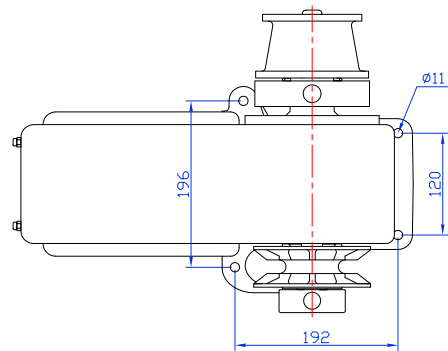
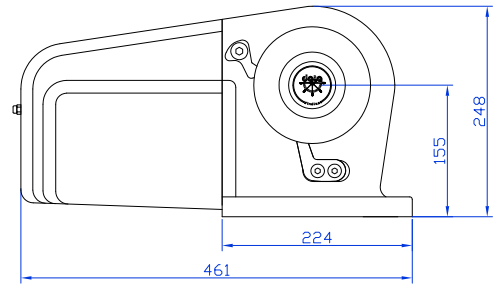
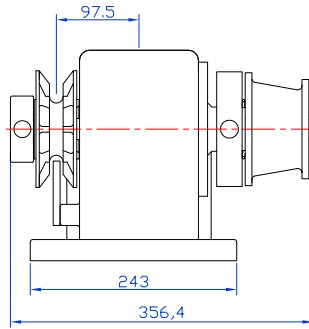
DZC 401 E / 1224 - 10K

E. Motor

1212	1200 W - 12 V DC E. Motor
1224	1200 W - 24 V DC E. Motor

Chain Type / Size

8 K	8mm. DIN 766
10 K	10 mm. DIN 766



DZC 401E

FEATURES

Manual override.

Chain can be dropped by means of loosable conical clutch which also provides overload protection.

Body is marine grade aluminium and covered with white (RAL 9016) polyurethane paint.

Drive shaft is stainless steel.

Gypsy and clutch are chrome plated bronze.

Warping drum and manual override wheel are chrome plated aluminium.

Delivered with marine type DC relays for reversible operation.