



DZC 1201/1202

DZC 1201 and 1202 are horizontal anchor windlasses with single or double gypsies. Electric or hydraulic versions are available providing a max. pull of 1375 kgs. It has a gypsy for chains 10, 12, 13 or 14 mm DIN766, 11, 12.5 or 14 mm stud-link.

	DZC 1201E / 1202E (DC)	DZC 1201E / 1202E (AC)	DZC 1201H / 1202H
Drive	DC Electric Motor (24V)	AC Electric Motor (210-400V, 3 ph)	Hydraulic Motor
Max. cont. Pull	920 kg (S2)	850 kg (30 min)	1250 kg (30 min)
Max. pull	1375 kg (S3)	1250 kg (2 min)	1375 kg (2 min)
Haulage speed (for 250 kg. working load)	14 m/min.	12 m/min.	15 m/min.
Gypsy for chain	10-12-13-14 mm DIN766, 11-12.5-14 Stud-link	10-12-13-14 mm DIN766, 11-12.5-14 Stud-link	10-12-13-14 mm DIN766, 11-12.5-14 Stud-link
Approximate weight	125 / 150 kg	125 / 150 kg	110 / 130 kg
Current draw (at max. cont.pull)/Hyd. pressure - Oil flow (on motor)	140A	5.8A	140 bar - 25 lt/min
Motor power	2500W	3000W (400V - 50hz)	



datahidrolik.com

DZC 1201 E AL / B - 12 K / 1**No of Gypsy**

1201	1 gypsy
1202	2 gypsies

Drive

E	E. Motor driven
H	Hydraulic motor driven

Pos of Gypsy & Drum

A	1 gypsy 1 drum (as the drawing)
AL	1 gypsy 1 drum (in opposite side)
B	1 gypsy 1 drum (as the drawing)
BL	1 gypsy 1 drum (in opposite side)
-	2 gypsies 1 drum

Material

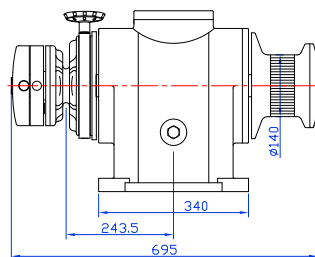
B	Bronze
Kr	Stainless steel
P	Steel

Chain Type / Size

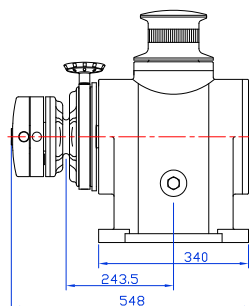
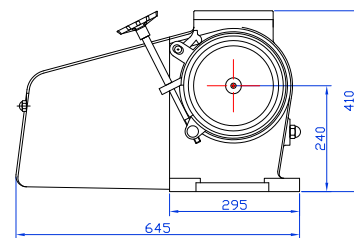
10 K	10 mm. DIN 766
12 K	12 mm. DIN 766
13 K	13 mm. DIN 766
14 K	14 mm. DIN 766
12 L	12.5 mm. Stud-link
14 L	14 mm. Stud-link

E. Motor

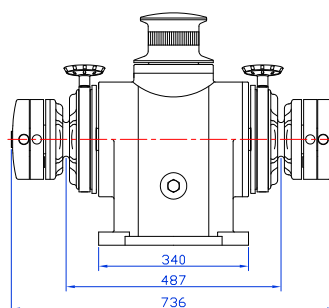
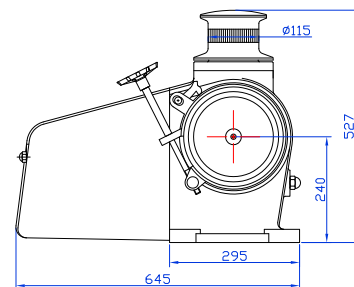
1	2500 W 24 V DC E. Motor
2	3000 W 380 V AC E. Motor



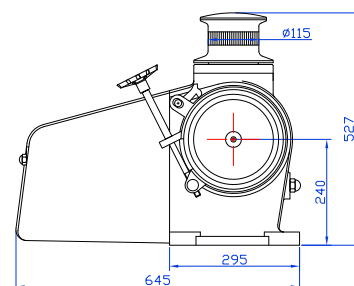
DZC 1201H/E type A



DZC 1201H/E type B



DZC 1202 H/E



FEATURES

Manual override.

Gypsies are equipped with both clutch and band brake to allow independent operation of gypsy and warping drum.

Chain can be dropped by means of loosable conical clutch which also provides overload protection.

Body is marine grade aluminium and covered with white (RAL 9016) polyurethane paint.

Drive shaft, brake screw and brake band are stainless steel.

Delivered with marine type DC relays for reversible operation (DC electric motor models).

OPTIONS

AC or DC electric motor drive.

Hydraulic motor drive.

Chrome plated bronze gypsy, clutch and warping drum.

Polyurethane painted steel gypsy, clutch and warping drum.

Mirror polished stainless steel gypsy, clutch and warping drum.

Single or double gypsy.

Warping drum on top or at side.

For single gypsy models, right and left versions available.