



DZC 1400

DZC 1400 is a vertical anchor windlass. Electric or hydraulic versions are available providing a max. pull of 1660 kgs. It has a gypsy for chains 12, 13 or 14 mm DIN766, 12.5 or 14 mm stud-link.

	DZC 1400E (DC)	DZC 1400E (AC)	DZC 1400H
Drive	DC Electric Motor (24V)	AC Electric Motor (210-400V, 3 ph)	Hydraulic Motor
Max. cont. Pull	1000 kg (S2)	1330 kg (30 min)	1400 kg (30 min)
Max. pull	1500 kg (S3)	1660 kg (2 min)	1540 kg (2 min)
Haulage speed (for 300 kg. working load)	15 m/min.	12 m/min.	16 m/min.
Gypsy for chain	12-13-14 mm DIN766, 12.5-14 Stud-link	12-13-14 mm DIN766, 12.5-14 Stud-link	12-13-14 mm DIN766, 12.5-14 Stud-link
Approximate weight	170 kg	160 kg	130 kg
Current draw (at max. cont.pull)/ Hyd. pressure - Oil flow (on motor)	195A	6.6A (400V - 50 hz)	120 bar - 25 lt/min
Motor power	3500W	3000W (400V - 50 hz)	



datahidrolik.com

DZC 1400 - 1 EW / B - 12.5 L / 3**Drum**

- | | |
|---|----------------------------|
| 1 | Low profile (Without drum) |
| 2 | High profile (With drum) |

Drive

- | | |
|---|------------------|
| H | Hydraulic driven |
| E | E. Motor driven |

Gearbox Type

- | | |
|----|-------------------------|
| PI | Planetary (Single Axis) |
| PL | Planetary (90°) |
| W | Worm gear |

Material

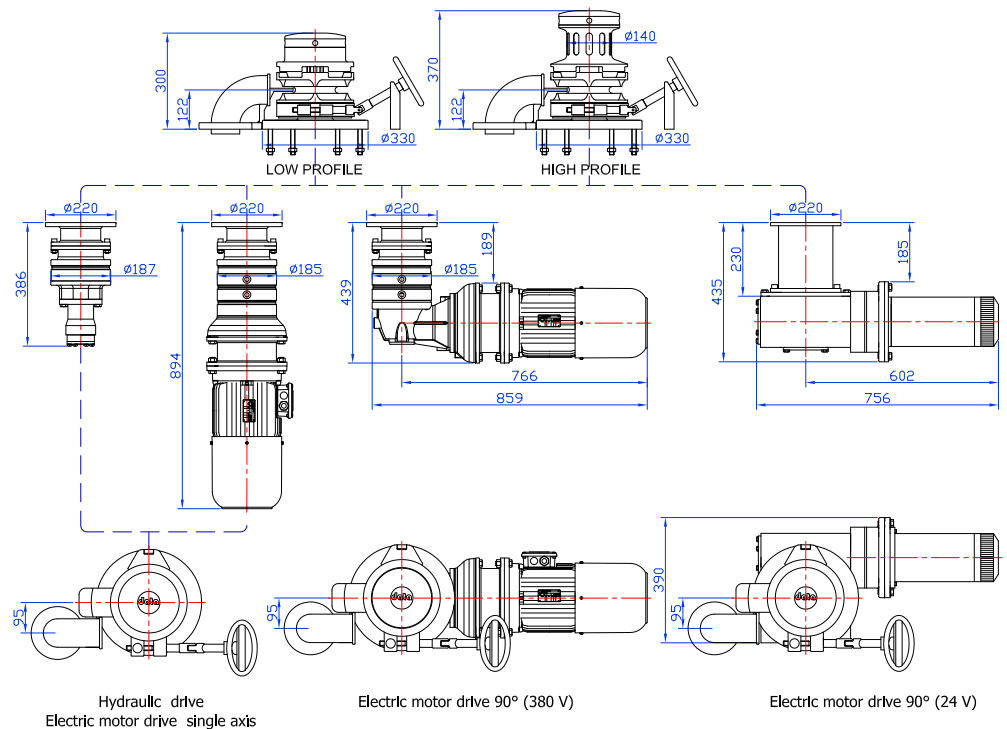
- | | |
|----|-----------------|
| B | Bronze |
| Kr | Stainless steel |
| P | Steel |

Chain Type / Size

- | | |
|--------|--------------------|
| 12 K | 12 mm. DIN 766 |
| 13 K | 13 mm. DIN 766 |
| 14 K | 14 mm. DIN 766 |
| 12.5 L | 12.5 mm. Stud-link |
| 14 L | 14 mm. Stud-link |

E. Motor

- | | |
|---|--------------------------|
| 3 | 3500 W 24 V DC E. Motor |
| 4 | 3000 W 380 V AC E. Motor |



FEATURES

Gypsy is equipped with both clutch and band brake to allow independent operation of gypsy and warping drum.

Chain can be dropped by loosing band brake.

Gypsy is engaged by means of dog clutch.

Electric motor driven models are equipped with torque limiting coupling for over load protection.

High strength drive shaft and brake screw are stainless steel.

Delivered with marine type DC relays for reversible operation (DC electric motor models).

OPTIONS

AC or DC electric motor drive.

Hydraulic motor drive.

In line or right angle gearbox-motor installation.

Windlass with warping drum or with out drum (low profile).

Polyurethane painted steel parts above deck.

Mirror polished stainless steel parts above deck.

Polished or chrome plated bronze parts above deck.

Starter with frequency converter.

Remote hydraulic released gypsy brake.