



## DZC 2200

DZC 2200 is a vertical anchor windlass. Electric or hydraulic versions are available providing a max. pull of 2600 kgs. It has a gypsy for chains 14, 16 or 18 mm DIN766, 14 or 16 mm stud-link.

	DZC 2200E (AC)	DZC 2200H
Drive	AC Electric Motor (210-400V, 3 ph)	Hydraulic Motor
Max. cont. Pull	2100 kg (30 min)	2200 kg (30 min)
Max. pull	2600 kg (2 min)	2450 kg (2 min)
Haulage speed	14 m/min.	14 m/min.
Gypsy for chain	14-16-18 mm DIN766, 14-16 Stud-link	14-16-18 mm DIN766, 14-16 Stud-link
Approximate weight	200 kg	160 kg
Current draw (at max. cont.pull)/Hyd. pressure - Oil flow (on motor)	11.2A (400V - 50hz)	135 bar - 32 lt/min
Motor power	5500W (400V - 50 hz)	



[datahidrolik.com](http://datahidrolik.com)

**DZC 2200 - 2 HPI/Kr - 16 L****Drum**

- |   |                            |
|---|----------------------------|
| 1 | Low profile (Without drum) |
| 2 | High profile (With drum)   |

**Drive**

- |   |                  |
|---|------------------|
| H | Hydraulic driven |
| E | E. Motor driven  |

**Gearbox Type**

- |    |                         |
|----|-------------------------|
| PI | Planetary (Single Axis) |
| PL | Planetary (90°)         |
| W  | Worm gear               |

**Material**

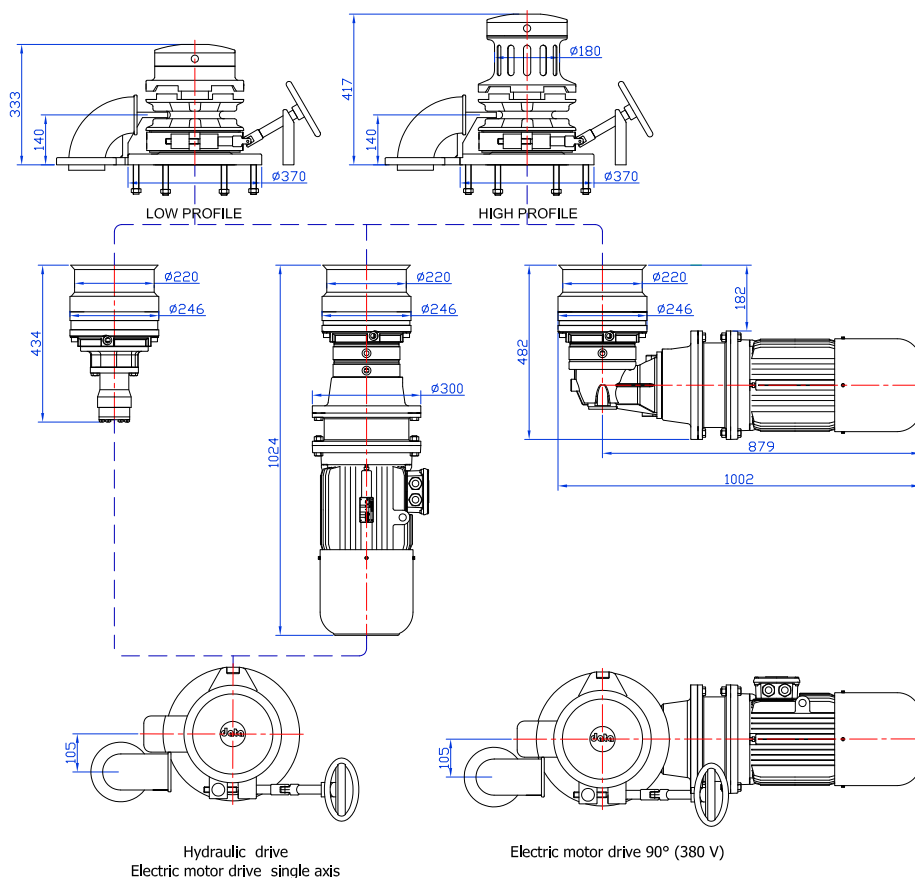
- |    |                 |
|----|-----------------|
| B  | Bronze          |
| Kr | Stainless steel |
| P  | Steel           |

**Chain Type / Size**

- |      |                  |
|------|------------------|
| 14 K | 14 mm. DIN 766   |
| 16 K | 16 mm. DIN 766   |
| 18 K | 18 mm. DIN 766   |
| 14 L | 14 mm. Stud-link |
| 16 L | 16 mm. Stud-link |

**E. Motor**

- |   |                          |
|---|--------------------------|
| 5 | 5.5 kW 380 V AC E. Motor |
|---|--------------------------|



## FEATURES

Gypsy is equipped with both clutch and band brake to allow independent operation of gypsy and warping drum.

Chain can be dropped by loosing band brake.

Gypsy is engaged by means of dog clutch.

Electric motor driven models are equipped with torque limiting coupling for over load protection.

High strength drive shaft and brake screw are stainless steel.

## OPTIONS

AC electric motor drive.

Hydraulic motor drive.

In line or right angle gearbox-motor installation.

Windlass with warping drum or with out drum (low profile).

Polyurethane painted steel parts above deck.

Mirror polished stainless steel parts above deck.

Polished or chrome plated bronze parts above deck.

Starter with frequency converter.

Remote hydraulic released gypsy brake.