



DZC 3300

DZC 3300 is a vertical anchor windlass. Electric or hydraulic versions are available providing a max. pull of 3600 kgs. It has a gypsy for chains 18, 20 or 23 mm DIN766, 17.5, 19, 20.5 or 22 mm stud-link.

	DZC 3300E (AC)	DZC 3300H
Drive	AC Electric Motor (210-400V, 3 ph)	Hydraulic Motor
Max. cont. Pull	3000 kg (30 min)	3300 kg (30 min)
Max. pull	3750 kg (2 min)	3650 kg (2 min)
Haulage speed (for single speed)	13 m/min.	12 m/min.
Gypsy for chain	18-20-23 mm DIN766, 17.5-19-20.5-22 Stud-link	18-20-23 mm DIN766, 17.5-19-20.5-22 Stud-link
Approximate weight	330 kg	280 kg
Current draw (at max. cont.pull) /Hyd. pressure - Oil flow (on motor)	15.4A (400V - 50hz)	130 bar - 45 lt/min
Motor power	7500W (400V - 50 hz)	



datahidrolik.com

DZC 3300 - 1 EPL/P - 19L / 7**Drum**

- | | |
|---|----------------------------|
| 1 | Low profile (Without drum) |
| 2 | High profile (With drum) |

Drive

- | | |
|----|------------------------|
| H | Hydraulic driven |
| H2 | Double speed hydraulic |
| E | E. Motor driven |

Gearbox Type

- | | |
|----|-------------------------|
| PI | Planetary (Single Axis) |
| PL | Planetary (90°) |
| W | Worm gear |

Material

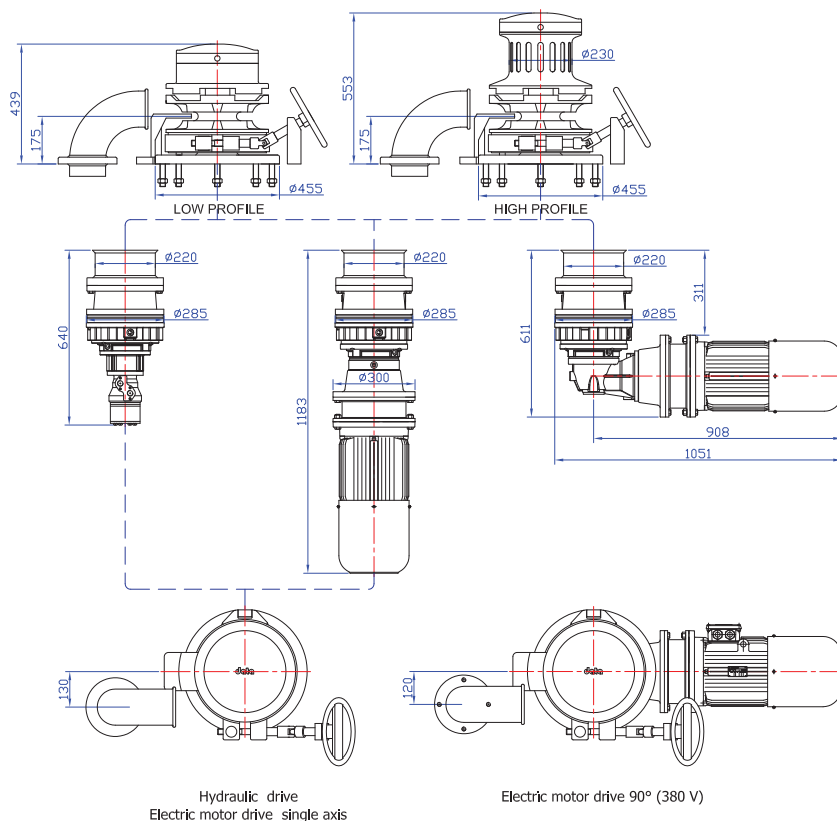
- | | |
|----|-----------------|
| B | Bronze |
| Kr | Stainless steel |
| P | Steel |

Chain Type / Size

- | | |
|--------|--------------------|
| 18 K | 18 mm. DIN 766 |
| 20 K | 20 mm. DIN 766 |
| 23 K | 23 mm. DIN 766 |
| 17.5 L | 17.5 mm. Stud-link |
| 19 L | 19 mm. Stud-link |
| 20.5 L | 20.5 mm. Stud-link |
| 22 L | 22 mm. Stud-link p |

E. Motor

- | | |
|---|--------------------------|
| 7 | 7,5 kW 380 V AC E. Motor |
|---|--------------------------|



FEATURES

Gypsy is equipped with both clutch and band brake to allow independent operation of gypsy and warping drum.

Chain can be dropped by loosing band brake.

Gypsy is engaged by means of dog clutch.

Electric motor driven models are equipped with torque limiting coupling for over load protection.

High strength drive shaft and brake screw are stainless steel.

OPTIONS

AC electric motor drive.

Hydraulic motor drive.

In line or right angle gearbox-motor installation.

Windlass with warping drum or with out drum (low profile).

Polyurethane painted steel parts above deck.

Mirror polished stainless steel parts above deck.

Polished or chrome plated bronze parts above deck.

Starter with frequency converter.

Remote hydraulic released gypsy brake.