



DZC 5000

DZC 5000 is a vertical anchor windlass. Electric or hydraulic versions are available providing a max. pull of 5750 kgs. It has a gypsy for chains 23 or 26 mm DIN766, 19, 20.5, 22, 24 or 26 mm stud-link.

	DZC 5000E (AC)	DZC 5000H
Drive	AC Electric Motor (210-400V, 3 ph)	Hydraulic Motor
Max. cont. Pull	4600 kg (30 min)	5000 kg (30 min)
Max. pull	5750 kg (2 min)	5500 kg (2 min)
Haulage speed (for single speed)	13 m/min.	13 m/min.
Gypsy for chain	23-26 mm DIN766, 19-20.5-22-24-26 Stud-link	23-26 mm DIN766, 19-20.5-22-24-26 Stud-link
Approximate weight	700 kg	660 kg
Current draw (at max. cont.pull) /Hyd. pressure - Oil flow (on motor)	21A (400V - 50hz)	165 bar - 55 lt/min
Motor power	11000W (400V - 50 hz)	



datahidrolik.com

DZC 5000 - 2 EPI/Kr - 24L / 11**Drum**

- | | |
|---|----------------------------|
| 1 | Low profile (Without drum) |
| 2 | High profile (With drum) |

Drive

- | | |
|----|------------------------|
| H | Hydraulic driven |
| H2 | Double speed hydraulic |
| E | E. Motor driven |

Gearbox Type

- | | |
|----|-------------------------|
| PI | Planetary (Single Axis) |
| PL | Planetary (90°) |
| W | Worm gear |

Material

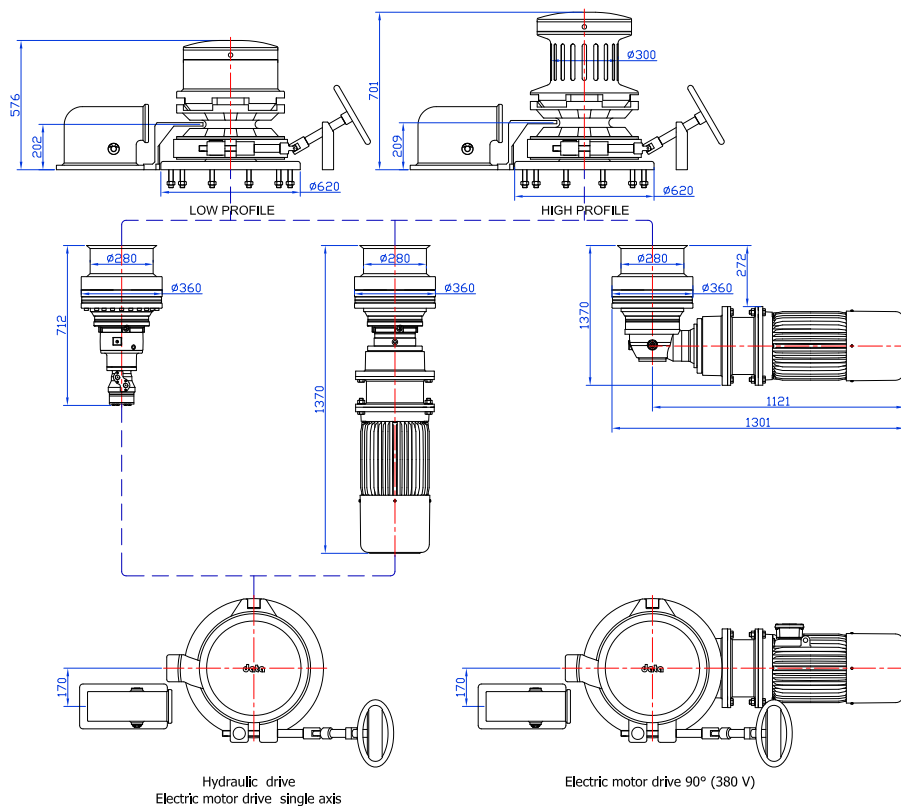
- | | |
|----|-----------------|
| Kr | Stainless steel |
| P | Steel |

Chain Type / Size

- | | |
|--------|--------------------|
| 23 K | 23 mm. DIN 766 |
| 26 K | 26 mm. DIN 766 |
| 19 L | 19 mm. Stud-link |
| 20.5 L | 20.5 mm. Stud-link |
| 22 L | 22 mm. Stud-link |
| 24 L | 24 mm. Stud-link |
| 26 L | 26 mm. Stud-link |

E. Motor

- | | |
|----|-------------------------|
| 11 | 11 kW 380 V AC E. Motor |
|----|-------------------------|



FEATURES

Gypsy is equipped with both clutch and band brake to allow independent operation of gypsy and warping drum.

Chain can be dropped by loosing band brake.

Gypsy is engaged by means of dog clutch.

Electric motor driven models are equipped with torque limiting coupling for over load protection.

High strength drive shaft and brake screw are stainless steel.

OPTIONS

AC electric motor drive.

Hydraulic motor drive with single or double speed.

In line or right angle gearbox-motor installation.

Windlass with warping drum or with out drum (low profile).

Polyurethane painted steel parts above deck.

Mirror polished stainless steel parts above deck.

Starter with frequency converter.

Remote hydraulic released gypsy brake.