



DZC 7000

DZC 7000 is a vertical anchor windlass. Electric or hydraulic versions are available providing a max. pull of 8250 kgs. It has a gypsy for chains 24, 26, 28, 30 or 32 mm stud-link.

| | DZC 7000E (AC) | DZC 7000H |
|---|------------------------------------|--------------------------|
| Drive | AC Electric Motor (210-400V, 3 ph) | Hydraulic Motor |
| Max. cont. Pull | 6600 kg (30 min) | 7000 kg (30 min) |
| Max. pull | 8250 kg (2 min) | 7700 kg (2 min) |
| Haulage speed (for single speed) | 12 m/min. | 12 m/min. |
| Gypsy for chain | 24-26-28-30-32 Stud-link | 24-26-28-30-32 Stud-link |
| Approximate weight | 1100 kg | 1200 kg |
| Current draw (at max. cont.pull) /Hyd. pressure - Oil flow (on motor) | 29.8A (400V - 50hz) | 220 bar - 60 lt/min |
| Motor power | 15000W (400V - 50 hz) | |



datahidrolik.com

DZC 7000 - 2 HPI/ Kr - 28 L**Drum**

| | |
|---|----------------------------|
| 1 | Low profile (Without drum) |
| 2 | High profile (With drum) |

Drive

| | |
|----|------------------------|
| H | Hydraulic driven |
| H2 | Double speed hydraulic |
| E | E. Motor driven |

Gearbox Type

| | |
|----|-------------------------|
| PI | Planetary (Single Axis) |
| PL | Planetary (90°) |
| W | Worm gear |

Material

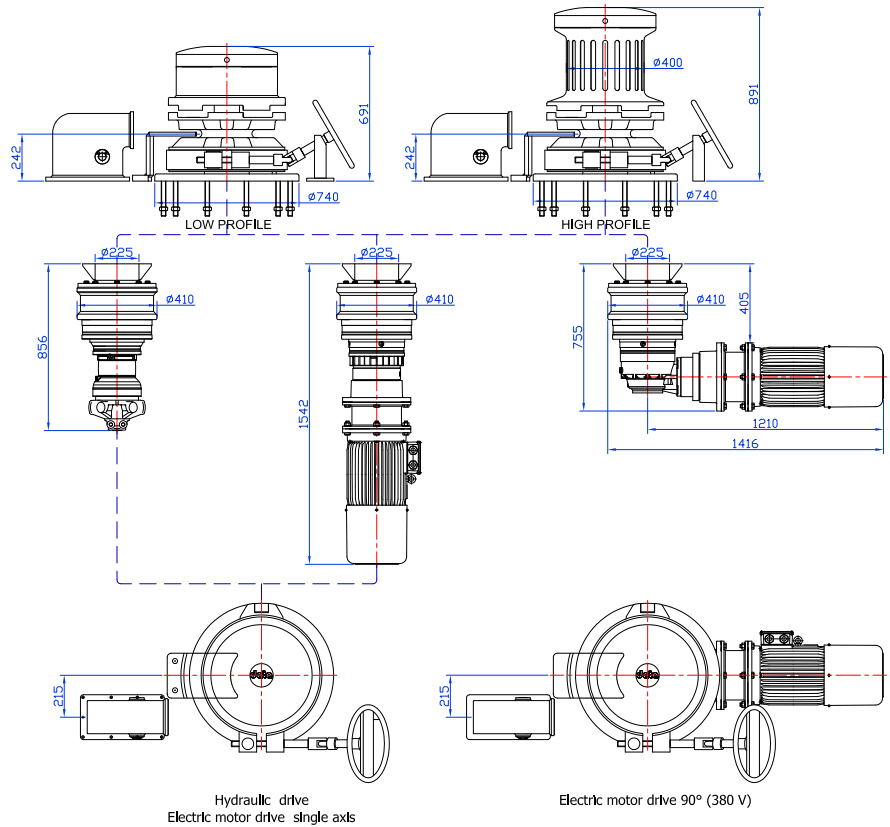
| | |
|----|-----------------|
| Kr | Stainless steel |
| P | Steel |

Chain Type / Size

| | |
|------|------------------|
| 24 L | 24 mm. Stud-link |
| 26 L | 26 mm. Stud-link |
| 28 L | 28 mm. Stud-link |
| 30 L | 30 mm. Stud-link |
| 32 L | 32 mm. Stud-link |

E. Motor

| | |
|----|-------------------------|
| 15 | 15 kW 380 V AC E. Motor |
|----|-------------------------|



FEATURES

Gypsy is equipped with both clutch and band brake to allow independent operation of gypsy and warping drum.

Chain can be dropped by loosing band brake.

Gypsy is engaged by means of dog clutch.

Electric motor driven models are equipped with torque limiting coupling for over load protection.

High strength drive shaft and brake screw are stainless steel.

OPTIONS

AC electric motor drive.

Hydraulic motor drive with single or double speed.

In line or right angle gearbox-motor installation.

Windlass with warping drum or with out drum (low profile).

Polyurethane painted steel parts above deck.

Mirror polished stainless steel parts above deck.

Starter with frequency converter.

Remote hydraulic released gypsy brake.